

Panasonic
ideas for life

Weather Proof
Super Dynamic II Colour Cameras
(with Low-Light B/W Mode)

WV-CW370 Series



**Now outdoor surveillance doesn't
just look futuristic. It is.**

IP66
standard



SDII
Super Dynamic

Design, features, ease of installation, weather proof, WV-CW370 Series outdoor cameras have it all.

The new Panasonic WV-CW370 Series' streamlined metallic body contains a **Super Dynamic II** camera, 8x variable-focal lens, fan/heater, and IP66 standard approved weather proof outdoor housing.

It's loaded with features that make it ideal for all day, all night 24-hour surveillance, and it's easy to install as well.

Unprecedented stylish design makes it the perfect match for office entrances and communicates the presence of the highest level of security available.

Stylish, silver metallic body **Futuristic**

Blends smoothly into any location/environment **Affinity**

State-of-the-art security image frightens intruders **Deterrent**

Weather Proof

IP66 standard approved

Colour or black-and-white 24-hour surveillance

8x variable-focal lens

Design

High Performance

Outdoor

Simple to Install

Super Dynamic II

High-quality imaging with 510-line colour (High) h. resolution

Ultra-sensitive, for lighting as low as 1 lux, at colour imaging

"Invisible Cable" concealed in bracket

Choice of 3 installation methods

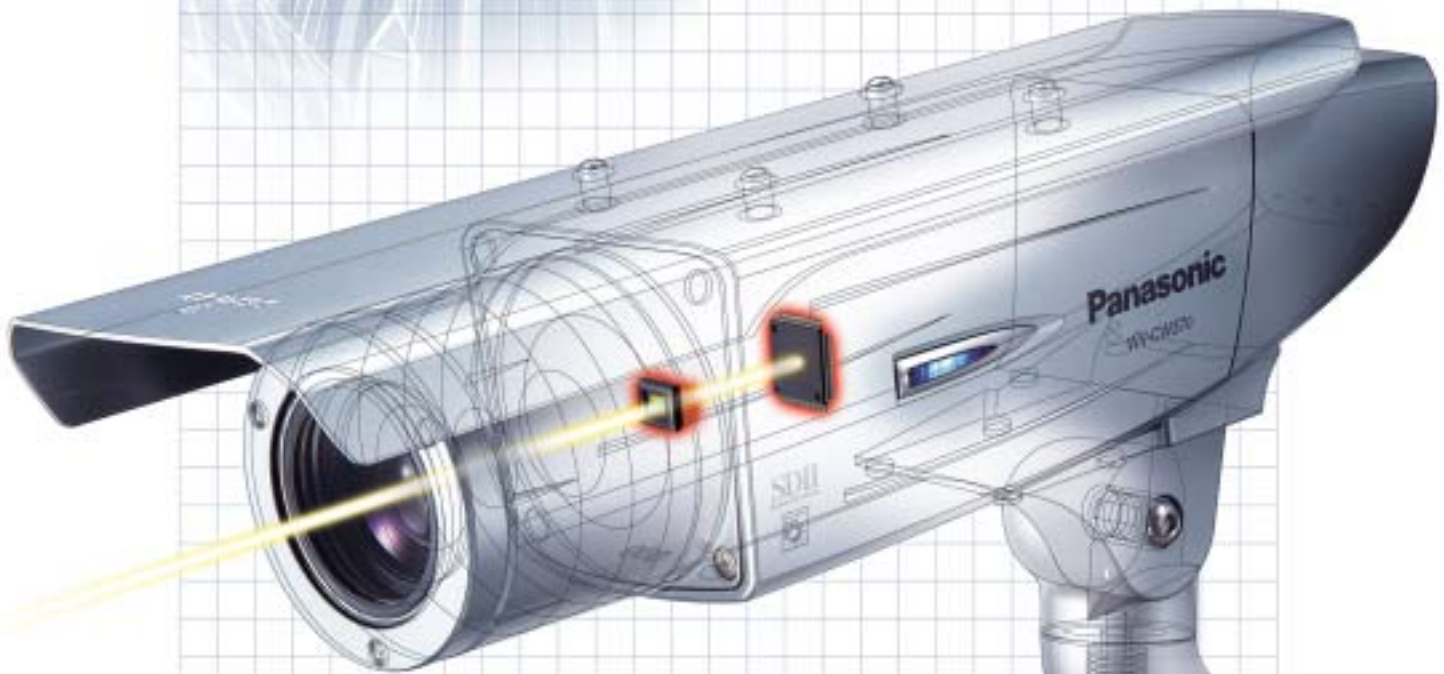
Easy to install

The ideal form of outdoor surveillance for high-rise office buildings, suburban office complexes, movie theatres, stadiums, museums, shopping malls, airports, terminals, and parking lots.



Loaded with advanced surveillance features to ensure dependable weather proof outdoor surveillance

IP66 dust and moisture protection and day/night features make it the perfect choice for 24-hour outdoor surveillance. Equipped with an 8x variable-focal lens and Super Dynamic II image processing, it captures clear images in low-light and dark locations.



OUTDOOR

HIGH PERFORMANCE

Weather proof outdoor use

The WV-CW370 Series model meets the IP66 international standard. The camera can be installed under building eaves, external walls, rooftops and many other locations.



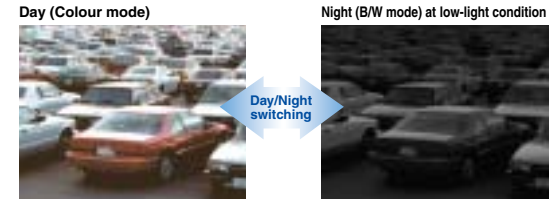
8x variable-focal lens

Equipped with a 5.0 mm - 40.0 mm (8x) variable-focal lens, ensuring the best possible image under surveillance.



24-hour surveillance

As surroundings darken, it switches automatically from colour to black-and-white mode to enhance sensitivity. Then in the morning, the Day/Night feature automatically switches it back to colour. Manual switching is also provided.



Flat lens structure

The flat surface of the lens makes it difficult for dust, water droplets or snow to stick to it.



Equipped with sun shield

The built-in sun shield allows this camera to be located in direct sunlight.



Built-in Fan/Heater

The built-in Fan/Heater turns on automatically when it senses temperature fluctuations, preventing dew condensation in cold or changeable climates. Permits installation in locations with temperatures ranging from -30°C to +50°C.



Blue LED to deter intruders

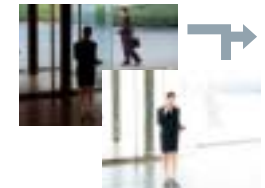
The blue LED on the side of the camera turns on for a deterrent effect, and starts blinking when the motion detector sensor activates. By signally the camera's movement, it warns off intruders.



Super Dynamic II

Super Dynamic II technology provides 80 times the range of conventional video cameras, providing clear, viewable surveillance images even in extreme backlit and high contrast lighting situations.

Set the lens aperture to the bright section, and the dark section is invisible.



Set the lens aperture to the dark section, and the bright section is invisible.



Digital signal technology allows images with high contrast to be seen on screen.

SDII

VMD (Video Motion Detector) function

When motion is detected in the camera image, an alarm is sent. By connecting the alarm to a digital disk recorder that stores the image, you can construct a highly effective automated image-capture system.



(Turns white only in demo mode)

Camera title

The monitor displays a title identifying the camera that is the source of the image. The title can be up to 16 characters long and combine alphabetic, numeric, and symbolic characters.



510-line horizontal resolution for clearer, more vivid colour images

Equipped with 752 (H) x 582 (V), 1/3-type CCD that delivers 510-line colour (in High mode) or 570-line resolution in black-and-white.

Ultra-sensitive for colour surveillance in light as low as 1 lux

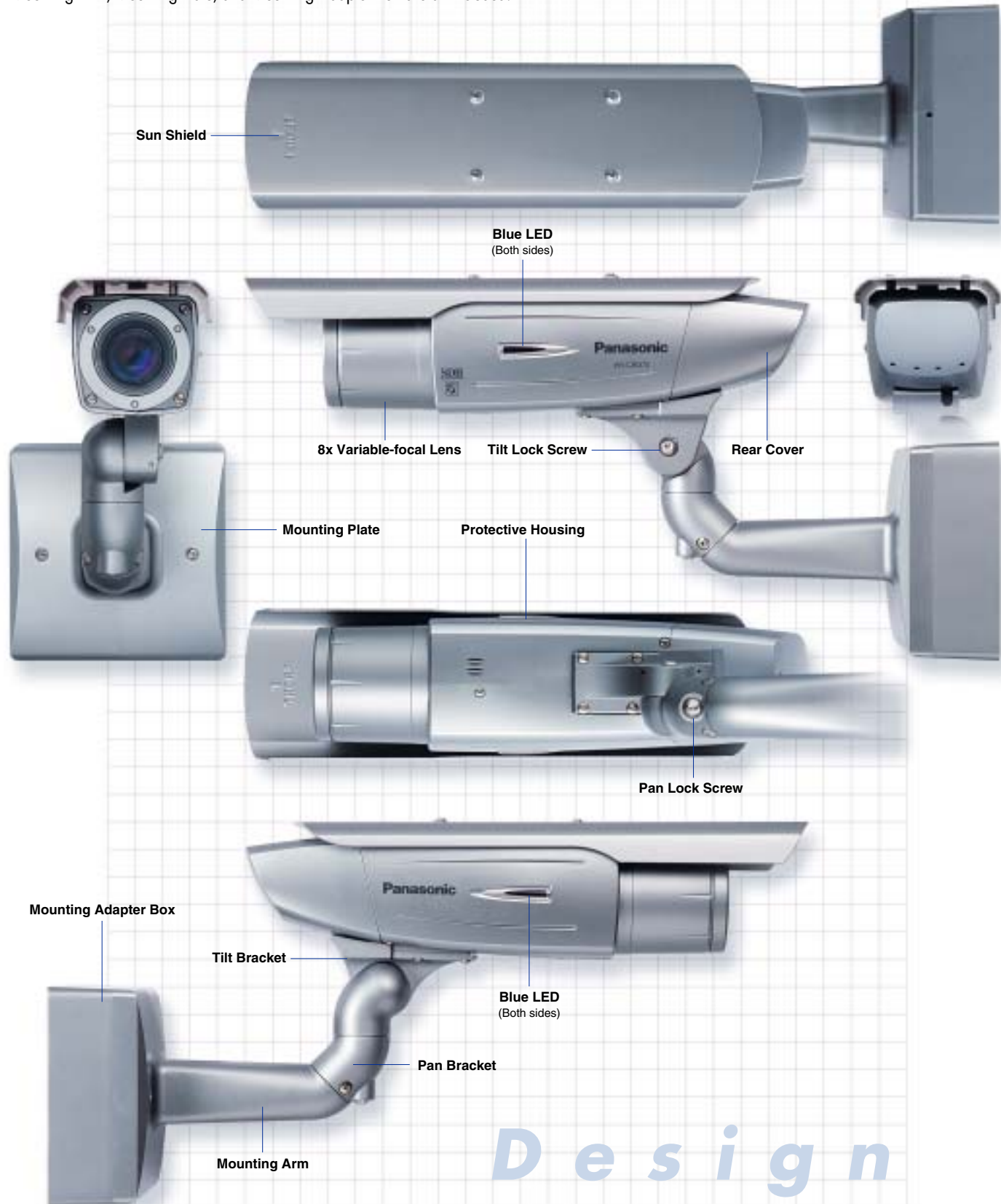
This ultra-sensitive camera delivers clear full colour images in lighting as low as 1 lux and clear black-and-white images in lighting as low as 0.15 lux. 32x electronic enhancement ensures clear colour images even in dimly lit spaces.

24V AC / 12V DC power supply

The WV-CW374 model can use either 24V AC and 12V DC power sources.

A total outdoor surveillance solution in one stylish unit

Super Dynamic II camera, 8x variable-focal lens, Fan/Heater, Protective Housing, Pan/Tilt bracket, Mounting Arm, Mounting Plate, and Mounting Adapter Box are all included.



Design

SIMPLE & EASY TO INSTALL

Invisible Cable; Clean, Simple Lines

Both camera and wall cables are concealed inside the bracket.



3-way Installation

1 Cables through wall with Mounting Adapter Box



2 Using Conduit (Flexible pipe) with Mounting Adapter Box



3 Direct mount without Mounting Adapter Box



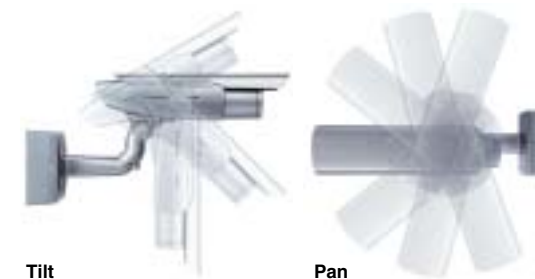
Equipped with Monitor output connector

Since a small LCD monitor (option) can be attached to the monitor output connector (3.5mm in diam. Mini jack), camera angle and focus can be checked on the spot.



Flexible camera angle settings

The bracket allows the camera to Tilt +30° ~ -90° and pan, making it possible to freely adjust the camera angle.



Simple Installation Procedure

1 Attach Mounting Adapter Box to wall.

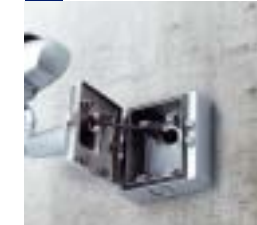


2 Attach Mounting Plate to Hinge.



Use four screws (option) to attach Mounting Adapter Box to wall.

3 Attach Camera to Mounting Arm.



Set Hinge Screw provided to allow opening and closing

4 Secure Mounting Plate.



Pass the camera cable through the Mounting Arm and attach to wall cable.

5 Attach Trim Covers



Use four screws provided to attach Mounting Plate.

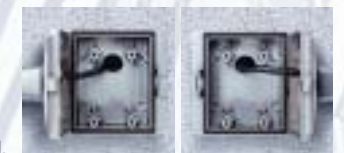
6 Finished!



Use two screws provided.

The opening can be either on the left or the right side

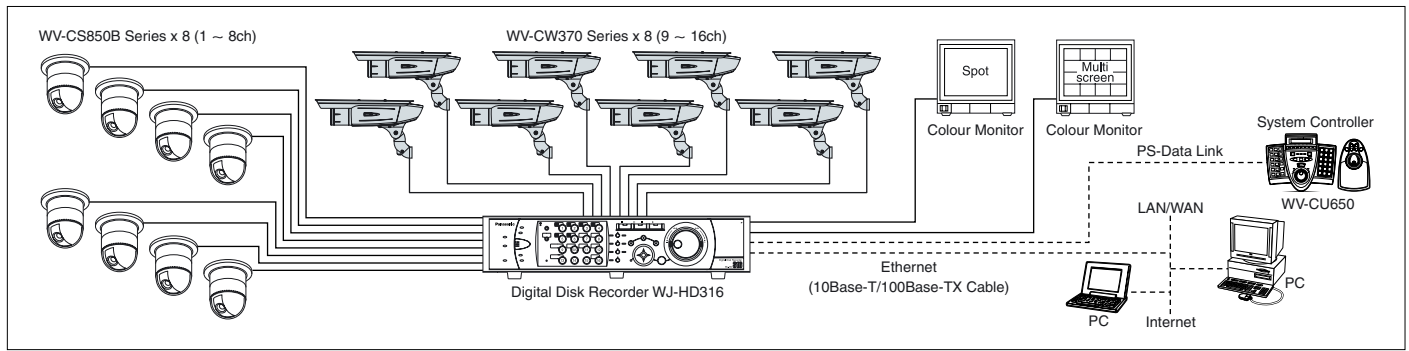
The Mounting Plate opening can be either on the left or the right. However, it is best if one side is tightly pressed against a wall.



Fits neatly above the existing junction box.

Installation is simple because the Mounting Adapter Box and Mounting Plate are designed to be mounted directly above the existing junction box.

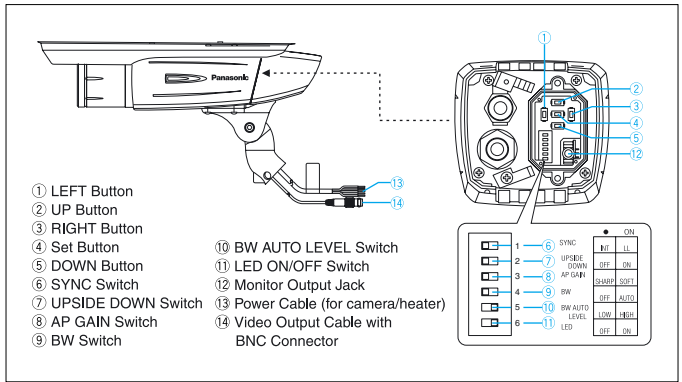
SYSTEM EXAMPLE



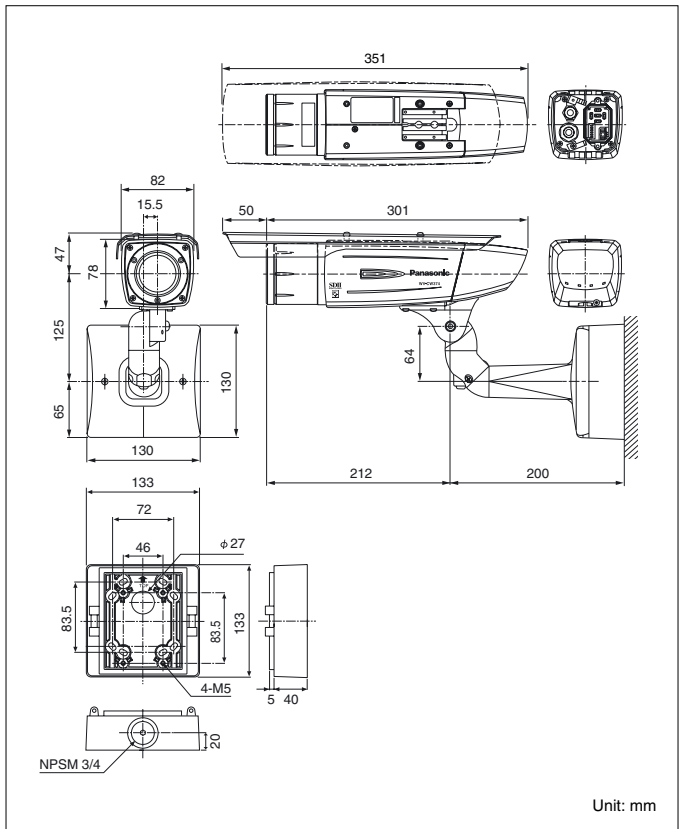
SPECIFICATIONS

	PAL	CCIR
Model No.	WV-CW370	WV-CW374
Pick-up Device	752 (H) x 582 (V) pixels, interline transfer CCD	
Scanning Area	4.86 (H) x 3.62 (V) mm	
Scanning	625 lines / 50 fields / 25 frames Horizontal: 15.625 kHz, Vertical: 50 Hz	
Scanning System	2 : 1 interlace	
Synchronization	Internal / Line lock (220V - 240V AC / 24V AC) / VD2 lock	
Video Output	1.0V[p-p] PAL composite / 75 Ω	
Horizontal Resolution	510 lines colour imaging (at high mode) 480 lines colour imaging (at normal mode) 570 lines B/W imaging	
S/N Ratio	50dB (min.) <luminance S/N> (at AGC ON, weight ON)	
Mini. Illumination	1.0 lux at colour imaging, 0.15 lux at B/W imaging	
AGC	Selectable ON (High/Mid/Low), OFF	
White Balance	Selectable ATW1/ATW2 and AWC (SET UP MENU)	
Aperture	Variable (SET UP MENU)	
Electronic Light Control	Equivalent to continuous variable shutter speed between 1/50s and 1/10,000s	
Dynamic Range	48dB typical	
ALC Lens	DC	
Character Generator	ON SCREEN SET UP MENU, CAMERA ID	
Lens Type	8x variable focal lens	
Focal Length	5.0 - 40.0 mm	
Aperture Ratio	1:1.6 (Wide) to 176, F1.9 (Tele) to 176, close	
Angular Field of View	Horizontal; 6.6° ~ 52° Vertical; 5.0° ~ 39.6°	
Min. Object Distance	1.2 m (3.9 ft) - ∞	
DIP SW	(1) SYNC Switch: INT/LL (2) Upside down Switch: ON/OFF (3) Aperture Switch: SOFT/SHARP (4) Day/Night Switch: AUTO/COLOUR FIX (5) B/W Level: High/Low (6) LED: ON/OFF	
Ambient Operating Temperature	-30°C - +50°C	
Ambient Operating Humidity	Less than 90 %	
Power Source and Power Consumption	220 V - 240 V AC 50 Hz; 13 W	For camera 24 V AC 50 Hz; 3.7 W 12 V DC; 365 mA For heater 24 V AC 50 Hz; 11 W
Ingress Protection (Camera Unit)	IP66, NEMA 4X	
Dimensions (W x H x D)	130 x 237 x 462 mm	
Weight	1.5 kg	1.4 kg

MAJOR OPERATING CONTROLS



APPEARANCE



OPTIONAL COMPONENTS

Digital Disk Recorders WJ-HD316 (16ch) PS•Data WJ-HD309 (9ch) PS•Data	System Controller WV-CU650 PS•Data	MATRIX SYSTEM 150 Matrix Switcher WJ-SX150A Matrix Switcher (with Multiplexer Function) WJ-SX155 System Controller WV-CU360CJ 		
Colour Monitors WV-CM2080 55cm CRT PS•Data	WV-CM1780 45cm CRT PS•Data	WV-CM1480 40cm CRT PS•Data	WV-CM1420 37cm CRT 	WV-CM1020 25cm CRT

Important note: the WV-CW370 camera series are NOT vandal-proof nor do they have any vandal-resistant capabilities.

Safety Precaution: carefully read the operating instructions and installation manual before using this product.

• All TV pictures are simulated. • Weights and dimensions are approximate. • Specifications are subject to change without notice. • These products may be subject to export control regulations.

DISTRIBUTED BY:

Panasonic System Solutions Company
Matsumita Electric Industrial Co., Ltd.
 4-3-1, Tsunashima-higashi, Kohoku-ku, Yokohama,
 223-8639, Japan
 Tel 81(0)45-540-5769
 Fax 81(0)45-540-5773
 URL <http://panasonic.co.jp/pss/cctv/en/index.html>

Panasonic

Panasonic is the brandname of Matsushita Electric.
 Printed in Japan WV-JKCW370C(2N-732)