



(Lens: option)

Highly Cost Efficient, Colour Surveillance Cameras with Vivid Imaging and Flexible System Configuration.

Panasonic introduces the WV-CP240 series DSP (Digital Signal Processing) cameras. The WV-CP240 series features high resolution and sensitivity, advanced image adjustment functions, and flexible system configuration.

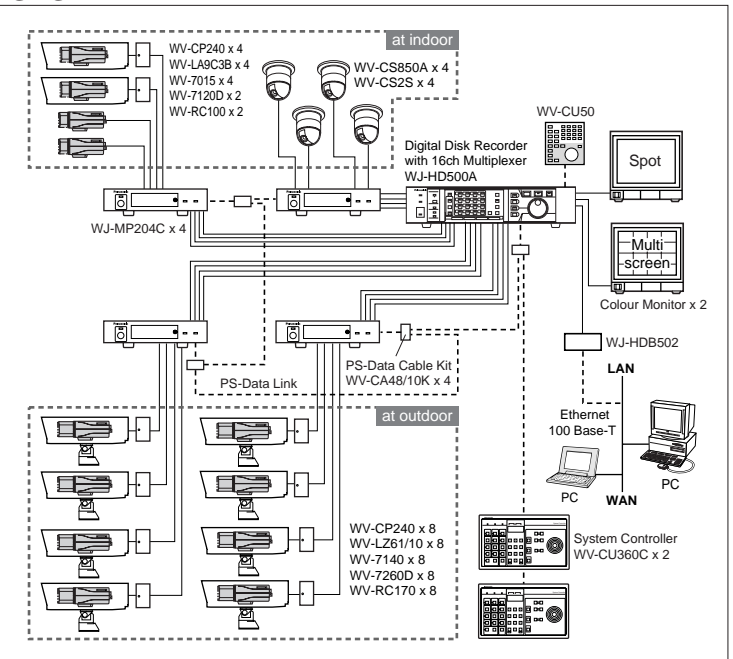
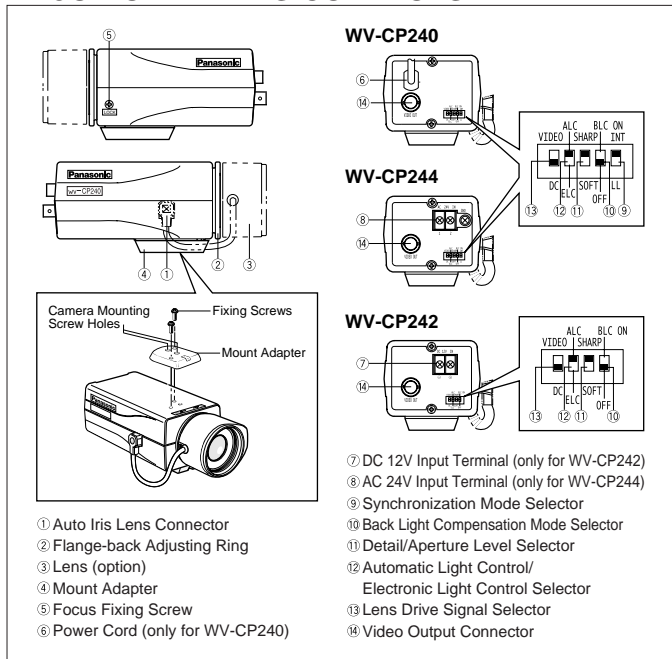
By employing a 1/3-type CCD (438,000 pixels), the WV-CP240 series achieves a horizontal resolution of 480 lines, and a signal-to-noise ratio of 50dB. Minimum illumination is 2 lx when used with a F1.4 lens and 0.6 lx when used with a F0.75 lens. The camera has various image adjustment functions such as Backlight Compensation (BLC), Aperture Correction, and Auto Tracing White Balance (ATW). This allows it to produce natural looking images even in poor lighting conditions. The Panasonic WV-CP240 series is ideal for CCVE surveillance applications.

Key Features

- 1/3-type CCD pick-up element with 752 (H) x 582 (V) pixels.
- 480 lines of horizontal resolution.
- Digital Signal Processing (DSP) minimizes aliasing (the creation of colour noise) when viewing patterned objects.
- Vertical digital enhancement and digital aperture correction improves signal strength at the horizontal and vertical edges for sharper images.
- Advanced digital adaptive backlight compensation (BLC) capability.
- Knee circuit effectively expands the dynamic range when viewing brightly illuminated objects.
- Outstanding 50dB signal-to-noise ratio.
- Minimum scene illumination of 2 lx at F1.4, 0.6 lx at F0.75.
- Specially developed lens mount configuration accepts both C and CS mount lenses. Also accepts both DC and Video voltage for ALC lenses.
- An advanced Electronic Light Control (ELC) enables the use of inexpensive fixed iris lenses for more cost effective systems.
- Line-lock capability for roll-free picture during systems operation switching.
- VD2 sync capability with Panasonic system products.
- WV-CP240 Camera Series are
 - WV-CP240 ; 220 - 240 V AC, 50 Hz
 - WV-CP242 ; 12 V DC
 - WV-CP244 ; 24 V AC, 50 Hz

MAJOR OPERATING CONTROLS

SYSTEM EXAMPLE



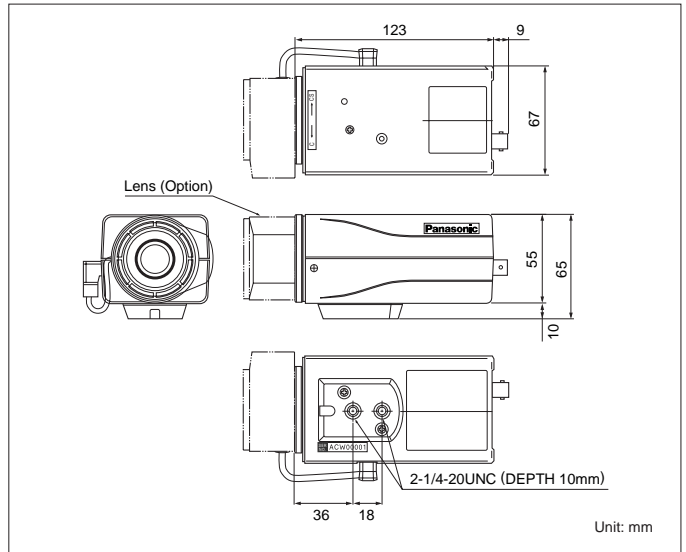
OPTIONAL COMPONENTS & ACCESSORIES

<p>ALC Lenses</p> <p>WV-LA2R8C3B WV-LA4R5C3B WV-LA9C3B WV-LA210C3 WV-LA408C3 WV-LA908C3</p> 	<p>Zoom Lenses</p> <p>WV-LZ61/10 (10x) WV-LZ61/15 (15x)</p>  <p>Variable Focal Lenses</p> <p>WV-LZF61/2 WV-LZ62/2 WV-LZ62/8</p> 	<p>Digital Video Multiplexers</p> <p>WJ-FS216 WJ-FS409 WJ-FS416 WJ-FS616C</p> 	<p>Colour Monitors</p> <p>WV-CM1020 WV-CM1420 WV-CM1480 WV-CM1780 WV-CM2080</p> 	<p>Digital Disk Recorders</p> <p>WJ-HD500A WJ-HD100</p> 
--	--	--	--	--

SPECIFICATIONS PAL

Model No.	WV-CP240	WV-CP242	WV-CP244
Pick-up Device	752 (H) x 582 (V) pixels, Interline Transfer CCD		
Scanning Area	4.89 (H) x 3.67 (V) mm (Equivalent to scanning area of 1/3" pick-up tube)		
Synchronization	Internal, Line-locked or Multiplexed Vertical Drive (VD2), selectable		
Scanning System	2 : 1 interlace		
Scanning	625 lines / 50 fields / 25 frames		
Horizontal	15.625 kHz		
Vertical	50 Hz		
Horizontal Resolution	480 lines		
Video Output	1.0 V[p-p] PAL composite 75 Ω / BNC connector		
Signal-to-Noise Ratio	50 dB (AGC Off, weight On)		
Electronic Light Control	Equivalent to continuous variable shutter speed between 1/50 s and 1/15,000 s		
Minimum Illumination	2.0 lx at F1.4 , 0.6 lx at F0.75		
Detail	SHARP or SOFT, selectable		
Lens Mount	C-mount or CS-mount, selectable		
Ambient Operating Temperature	-10 °C - +50 °C		
Ambient Operating Humidity	Less than 90 %		
Power Source and Power Consumption	220V-240V AC 50Hz, 3.4W	12 V DC, 270 mA	24 V AC 50 Hz, 3.3 W
Dimensions (without lens) (W x H x D)	67 x 65 x 123 mm		
Weights (without lens)	495 g	330 g	350 g

APPEARANCE



*Weights and dimensions are approximate. *Specifications are subject to change without notice. *These products may be subject to export control regulations.

DISTRIBUTED BY:

Panasonic

Panasonic is the brandname of Matsushita Electric.

Printed in Japan

WV-JKCP240T(2N-681A)