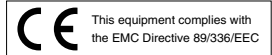


Super Dynamic II
Colour Single-wire VP Camera

WV-CP160



Optional Camera Drive Units
WV-PS15
(for 1 camera input)



WV-PS154
(for 4 camera inputs)

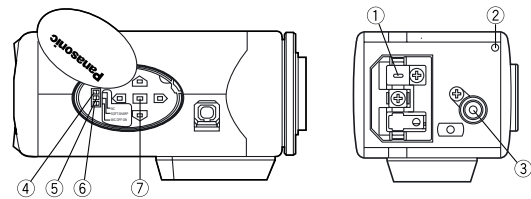


Lens: optional

KEY FEATURES

- Built-in **Super Dynamic II** technology which can widen the dynamic range when compared to conventional cameras.
- 1/3-type double speed CCD colour image sensor < 752 (H) x 582 (V) >
- 480-line horizontal resolution
- 50dB of S/N ratio (AGC OFF, Weight ON)
- Minimum illumination of 0.8 lx at F1.4
- Single cable connection with exclusive camera drive units WV-PS15/WV-PS154 for easy installation.
- On screen set-up menu
- Built-in character generator
- Electronic Shutter from 1/50 to 1/10,000 sec.
- Linear electronic sensitivity up (up to 32 times)
- Built-in microphone
- Aperture correction on set-up menu.
- VD2 Sync Capability with Panasonic system products
- Mounting bracket provided.

MAJOR OPERATING CONTROLS

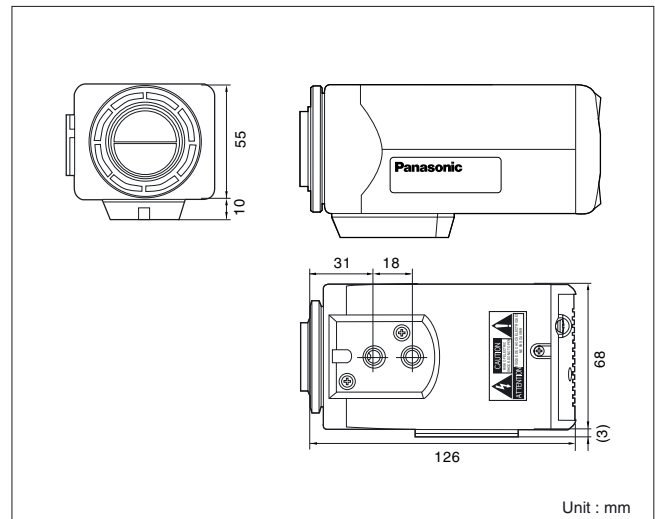


- ① Video Output Connector
- ② Power Indicator
- ③ Monitor Output Jack
- ④ Not Used
- ⑤ SOFT-SHARP Select Switch
- ⑥ MIC ON-OFF Switch
- ⑦ Camera Set Up Switch

SPECIFICATIONS

Pick-up Device	752 (H) x 582 (V) pixels, Interline Transfer CCD
Scanning Area	4.8 (H) x 3.6 (V) mm (Equivalent to 1/3" Tube)
Scanning	625Lines/50Fields/25Frames / Horizontal 15.625 kHz, Vertical 50.00Hz
Scanning System	2:1 Interlace
Synchronization	VD2 lock
Video Output	1.0V[p-p] PAL composite/75Ω (through specified circuit)
Horizontal Resolution	480 TV lines
S/N Ratio	50dB (min.) <luminance S/N> (at AGC off, weight ON)
Mini. Illumination	0.8 lx at F1.4
AGC	Selectable ON/OFF (SET UP MENU)
White Balance	Selectable ATW/AWC (SET UP MENU)
Dynamic Range	48dB (typical)
Aperture	Variable (SET UP MENU and APERTURE SW)
Electronic Light Control	Equivalent to continuous variable shutter speed between 1/50 sec. and 1/10,000 sec.
Character Generator	CAMERA ID (ON SCREEN SET UP MENU)
Set Up Menu	Camera ID ON/OFF, ALC/ELC, SHUTTER ON/OFF, AGC ON/OFF, SENSE UP ON/OFF, White balance ATW/AWC, Audio level VR, Chroma level VR, Aperture level VR, Pedestal level VR, Upside down switch
Lens Mount	CS-mount
ALC Lens	DC lens only
Ambient Operating Temperature	-10°C - +50°C
Ambient Operating Humidity	Less than 90% RH
Power Source	350mA, Constant current (from optional camera drive unit)
Dimensions	68 (W) x 65 (H) x 126 (D) mm
Weight (approx.)	375 g

DIMENSIONS



Unit : mm