



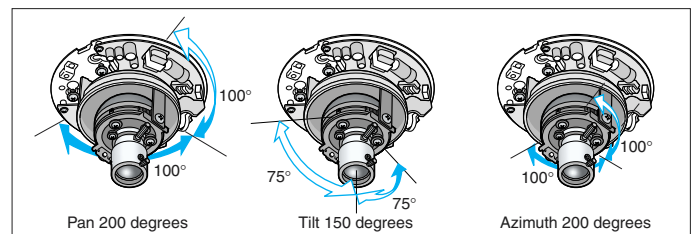
EQUIPPED WITH 2x VARIABLE-FOCAL LENS, THIS COST-EFFECTIVE COLOR DOME CAMERA PERFORMS SUPERBLY ACROSS A WIDE RANGE OF APPLICATIONS.

The new WV-CF224 Color Dome Camera from Panasonic is equipped with a 380,000 pixel, 1/4-type CCD and can be used with both AC and DC power sources. In addition to 480-line horizontal resolution, it can operate effectively in lighting as low as 2 lx (0.2 fc) with an aperture setting of F1.4. A full range of correction features including Backlight Compensation (BLC), Aperture Correction, and Auto Tracing White Balance (ATW) ensure crisp color images in dark or backlit environments. The 2.8mm to 6.0mm variable-focal lens is standard equipment, along with easy installation and camera angle adjustment. When used with a 24-volt AC power source, it simultaneously supports Internal, Line-Lock, and VD2 synchronization, making it simple to configure a reliable, multi-channel camera system.

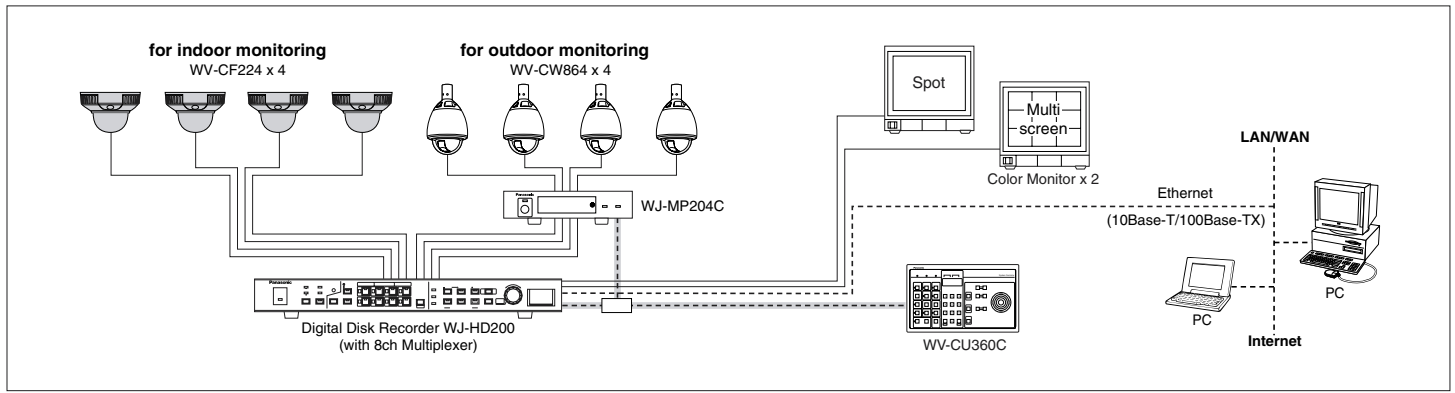
Great specs, great cost, great simple installation and great flexibility for system configuration: The WV-CF224 has everything it takes to succeed in all sorts of applications.

KEY FEATURES

- 80mm (3-1/8") diameter compact color dome camera for indoor use application.
- 480-line horizontal resolution.
- Minimum illumination of 2 lx (0.2 fc).
- 50dB signal to noise ratio.
- Built-in 2x variable-focal lens (2.9-6.0mm).
- Electronic shutter from 1/60 to 1/10,000 sec.
- Built-in aperture level (sharp/soft) correction.
- Advanced digital adaptive Back-Light Compensation (BLC) capability.
- Internal/Line-lock/VD2 synchronization (Line-lock : 24V AC operation only).
- Vertical drive (VD2) sync capability with Panasonic system products.
- Video monitor output jack for on the spot checking of the lens angle setting.
- Can be installed in existing electronic junction box.
- 24V AC/12V DC compatible power source operation for suit the wide variety of applications.
- The 3-dimensional hinge (Pan, Tilt and Azimuth) allows the camera to be rotated as well as moved horizontally and vertically. Choose precisely the camera angle you need; no camera makes it easier.



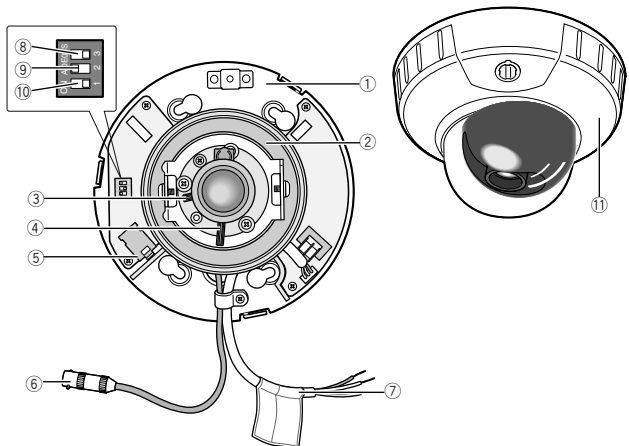
SYSTEM EXAMPLE

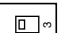
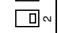
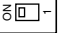


OPTIONAL COMPONENTS

Digital Disk Recorder with 16ch Multiplexer WJ-HD500B PS•Data 	Digital Disk Recorder with 8ch Multiplexer WJ-HD200 PS•Data 
Data Multiplex Unit WJ-MP204C PS•Data 	Color Monitors WV-CM2080 PS•Data WV-CM1780 PS•Data WV-CM1480 PS•Data WV-CM1420 WV-CM1020 
System Controller WV-CU360C PS•Data 	

MAJOR OPERATING CONTROLS

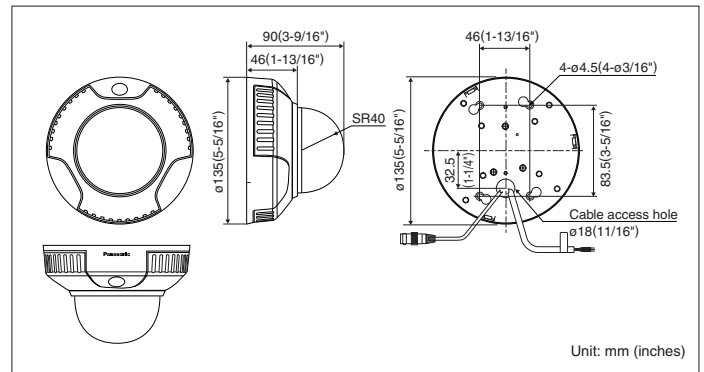


	ON	OFF	
AP	SHARP	SOFT	
BLC	ON	OFF	
SYNC	INT	LL	

SPECIFICATIONS

Pick-up Device	768 (H) x 492 (V) pixels, interline transfer CCD
Scanning Area	3.6 (H) x 2.7 (V) mm (equivalent to scanning area of 1/4" pick-up tube)
Synchronization	Internal, Line-lock (24 V AC only) or multiplexed vertical drive (VD2), selectable
Scanning System	2 : 1 interlace
Scanning	525 lines / 60 fields / 30 frames
Horizontal	15.734 kHz
Vertical	59.94 Hz
Horizontal Resolution	480 lines
Video Output	1.0 V[p-p] NTSC composite 75 Ω
Automatic Gain Control (AGC)	+18 dB
Automatic Tracing White Balance (ATW)	ON only
Signal-to-Noise Ratio	50 dB (equivalent to AGC Off, weight On)
Minimum Illumination	2.0 lx (0.2 fc) at F1.4 (WIDE) 1.2 lx (0.12 fc) at 20 IRE or more
Back Light Compensation (BLC)	On or Off
Detail	Sharp or Soft, selectable
Panning Range	±100°
Tilting Range	±75°
Azimuth Range	±100°
Ambient Operating Temperature	-10°C - +50°C (14°F - 122°F)
Ambient Operating Humidity	Less than 90 %
Power Source and Power Consumption	12 V DC, 235 mA 24 V AC 60 Hz, 2.8 W
Dimensions	ø135 (D) x 90 (H) mm [ø 5-5/16" (D) x 3-9/16" (H)]
Weights	0.26 kg (0.57 lbs.)

APPEARANCE



• Weights and dimensions are approximate. • Specifications are subject to change without notice. • These products may be subject to export control regulations.

Panasonic

Panasonic Digital Communications & Security Company
Unit of Matsushita Electric Corporation of America

Security Systems Group
<http://www.panasonic.com/cctv>

Executive Office : One Panasonic Way 3E-7, Secaucus, New Jersey 07094
Zone Office

Eastern : One Panasonic Way, Secaucus, NJ 07094 (201) 348-7303

Central : 1707 N.Randal Road, Elgin, IL 60123 (847) 468-5205

Western : 6550 Katella Ave., Cypress, CA 90630 (714) 373-7840

DISTRIBUTED BY:

PANASONIC CANADA INC.

5770 Ambler Drive, Mississauga, Ontario, L4W 2T3 Canada (905) 624-5010

PANASONIC SALES COMPANY

DIVISION OF MATSUSHITA ELECTRIC OF PUERTO RICO, INC.

San Gabriel Industrial Park 65th Infantry Ave. KM. 9.5 Carolina, P.R. 00985 (809) 750-4300

Printed in Japan

WV-JHCF224T(2P-510)